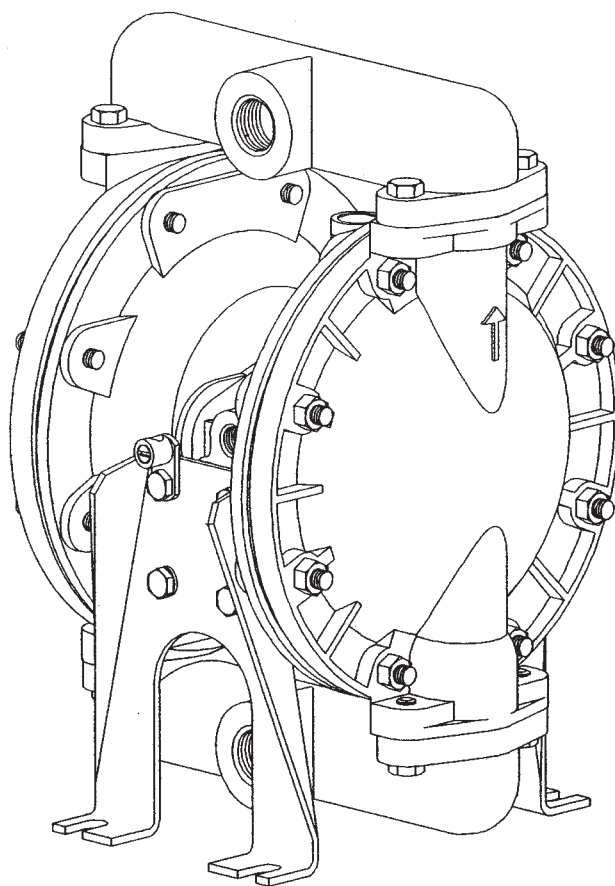


Balcrank

1" Diaphragm Pump 1:1 Ratio, (Metallic)

Model: 1120-007



Thoroughly read and understand this manual before installing, operating or servicing this equipment.

**OPERATION, INSTALLATION,
MAINTENANCE AND REPAIR GUIDE**

OPERATING AND SAFETY PRECAUTIONS

READ, UNDERSTAND AND FOLLOW THIS INFORMATION TO AVOID INJURY AND PROPERTY DAMAGE.



EXCESSIVE AIR PRESSURE
STATIC SPARK



HAZARDOUS MATERIALS
HAZARDOUS PRESSURE

⚠ WARNING EXCESSIVE AIR PRESSURE. Can cause personal injury, pump damage or property damage.

- Do not exceed the maximum inlet air pressure as stated on the pump model plate.
- Be sure material hoses and other components are able to withstand fluid pressures developed by this pump. Check all hoses for damage or wear. Be certain dispensing device is clean and in proper working condition.

⚠ WARNING STATIC SPARK. Can cause explosion resulting in severe injury or death. Ground pump and pumping system.

- Sparks can ignite flammable material and vapors.
- The pumping system and object being sprayed must be grounded when it is pumping, flushing, recirculating or spraying flammable materials such as paints, solvents, lacquers, etc. or used in a location where surrounding atmosphere is conducive to spontaneous combustion. Ground the dispensing valve or device, containers, hoses and any object to which material is being pumped.
- Secure pump, connections and all contact points to avoid vibration and generation of contact or static spark.
- Consult local building codes and electrical codes for specific grounding requirements.
- After grounding, periodically verify continuity of electrical path to ground. Test with an ohmmeter from each component (e.g., hoses, pump, clamps, container, spray gun, etc.) to ground to insure continuity. Ohmmeter should show 100 ohms or less.
- Submerge the outlet hose end, dispensing valve or device in the material being dispensed if possible. (Avoid free streaming of material being dispensed.)
- Use hoses incorporating a static wire.
- Use proper ventilation.
- Keep inflammables away from heat, open flames and sparks.
- Keep containers closed when not in use.

⚠ WARNING Pump exhaust may contain contaminants. Can cause severe injury. Pipe exhaust away from work area and personnel.

- In the event of a diaphragm rupture material can be forced out of the air exhaust muffler.
- Pipe the exhaust to a safe remote location when pumping hazardous or inflammable materials.
- Use a grounded 3/8" min. i.d. hose between the pump and the muffler.

⚠ WARNING HAZARDOUS PRESSURE. Can result in serious injury or property damage. Do not service or clean pump, hoses or dispensing valve while the system is pressurized.

- Disconnect air supply line and relieve pressure from the system by opening dispensing valve or device and / or carefully and slowly loosening and removing outlet hose or piping from pump.

⚠ WARNING HAZARDOUS MATERIALS. Can cause serious injury or property damage. Do not attempt to return a pump to the factory or service center that contains hazardous material. Safe handling practices must comply with local and national laws and safety code requirements.

- Obtain Material Safety Data Sheets on all materials from the supplier for proper handling instructions.

⚠ CAUTION Verify the chemical compatibility of the pump wetted parts and the substance being pumped, flushed or recirculated. Chemical compatibility may change with temperature and concentration of the chemical(s) within the substances being pumped, flushed or circulated.

⚠ CAUTION Maximum temperatures are based on mechanical stress only. Certain chemicals will significantly reduce maximum safe operating temperature. Consult Fluid Compatibility Guide for chemical compatibility and temperature limits. Refer to Pump Data on page 3 of this manual.

⚠ CAUTION Be certain all operators of this equipment have been trained for safe working practices, understand it's limitations, and wear safety goggles / equipment when required.

⚠ CAUTION Do not use the pump for the structural support of the piping system. Be certain the system components are properly supported to prevent stress on the pump parts.

- Suction and discharge connections should be flexible connections (such as hose), not rigid piped, and should be compatible with the substance being pumped.

⚠ CAUTION Prevent unnecessary damage to the pump. Do not allow pump to operate when out of material for long periods of time.

- Disconnect air line from pump when system sits idle for long periods of time.

⚠ CAUTION Use only genuine replacement parts to assure compatible pressure rating and longest service life.

NOTICE Install the pump in the vertical position. The pump may not prime properly if the balls do not check by gravity upon start-up.

NOTICE Re-torque all fasteners before operation. Creep of housing and gasket materials may cause fasteners to loosen. Re-torque all fasteners to insure against fluid or air leakage.

⚠ WARNING = Hazards or unsafe practices which could result in severe personal injury, death or substantial property damage.

⚠ CAUTION = Hazards or unsafe practices which could result in minor personal injury, product or property damage.

NOTICE = Important installation, operation or maintenance information.

GENERAL INFORMATION

GENERAL DESCRIPTION

This Diaphragm Pump offers high volume delivery even at low air pressure. Balcrank Diaphragm Pumps pumps feature stall resistant design, modular air motor / fluid sections.

Air operated double diaphragm pumps utilize a pressure differential in the air chambers to alternately create suction and positive fluid pressure in the fluid chambers, ball checks insure a positive flow of fluid.

Pump cycling will begin as air pressure is applied and it will continue to pump and keep up with the demand. It will build and maintain line pressure and will stop cycling once maximum line pressure is reached (dispensing device closed) and will resume pumping as needed.

Material Description: Model 1120-007

Center Body Material	Aluminum
Fluid Cap and Manifold Material	Aluminum
Seat Material	Polypropylene
Ball Material	Nitrile
Diaphragm Material	Nitrile

SERVICE KITS

FLUID	Model 1120-007	828864
	Model 1120-008	828865
AIR		828867

PUMP DATA

Model	1120-007
Pump Type	Metallic Air Operated Double Diaphragm
Material	Aluminum
Weight	19 lbs (8.62 kg)
Maximum Air Inlet Pressure	120 p.s.i. (8.3 bar)
Maximum Material Inlet Pressure	10 p.s.i. (0.69 bar)
Maximum Outlet Pressure	120 p.s.i. (8.3 bar)
Maximum Flow Rate (flooded inlet)	35 g.p.m. (133 l.p.m.)
Maximum Particle Size	1/8" dia. (3.2 mm)
Maximum Temperature Limits:	35° to 150°F (2° to 66°C)
Dimensional Data	See page 8.
Noise Level @ 70 p.s.i., 60 c.p.m.	64.5 db(A)*

* The pump sound pressure levels published here have been updated to an Equivalent Continuous Sound Level (L_{Aeq}) to meet the intent of ANSI S1.13-1971, CAGI-PNEUROP S5.1 using four microphone locations.

AIR AND LUBE REQUIREMENTS

- A filter capable of filtering out particles larger than 50 microns should be used on the air supply. In most applications there is no lubrication required other than the "O" ring lubricant which is applied during assembly or repair.
- When lubricated air is necessary, supply the air lubricator with a good grade of SAE 90 wt. non-detergent oil and set the lubricator to a rate not to exceed one drop per minute.

OPERATING INSTRUCTIONS

- Always flush the pump with a solvent compatible with the material being pumped if the material being pumped is subject to "setting up" when not in use for a period of time.
- Disconnect the air supply from the pump if it is to be inactive for a few hours.
- The outlet material volume is governed not only by the air supply but also by the material supply available at the inlet. The material supply tubing should not be too small or restrictive. Be sure not to use hose which might collapse.
- When the diaphragm pump is used in a forced-feed (flooded inlet) situation, it is recommended that a "Check Valve" be installed at the air inlet.
- Secure the diaphragm pump legs to a suitable surface to insure against damage by vibration.

MAINTENANCE

- Provide a clean work surface to protect sensitive internal moving parts from contamination from dirt and foreign matter during service disassembly and reassembly.
- Keep good records of service activity and include pump in preventive maintenance program.
- Service kits are divided to service two separate diaphragm pump functions: 1. AIR SECTION, 2. FLUID SECTION.
- Before disassembling, empty captured material in the outlet manifold by turning the pump upside down to drain material from the pump.

DIAPHRAGM PUMP SERVICE

GENERAL SERVICE NOTES:

- Inspect and replace old parts with new parts as necessary. Look for deep scratches on metallic surfaces, and nicks or cuts in "O" rings.
 - 7/16" wrench, 1/2" wrench, 7/16" socket, 1/2" socket, torque wrench (measuring inch pounds), "O" ring pick.

FLUID SECTION DISASSEMBLY

1. Remove top manifold(s).
2. Remove (22) balls, (19) "O" rings, (21) seats.
3. Remove (15) fluid caps.
4. Remove the (6) washer, (7) diaphragms and (5) washers.
5. Remove (3) "O" rings.

NOTE: Do not scratch or mar the surface of (1) diaphragm rod.

Balcrank Products
One Balcrank Way
Weaverville, NC 28787

Ph: 800-747-5300
Fax: 800-763-0840

PARTS LIST / 1120-007 FLUID SECTION

WETTED PARTS

Item	Description (Size in inches)	(Qty)
1	Rod	(1)
✓ 2	"O" Ring (3/32" x 3/4" o.d.)	(1)
✓ 3	"O" Ring (3/32" x 5/8" o.d.)	(4)
5	Washer - Air Side (3-5/8" o.d.)	(2)
6	Washer - Fluid Side (3-5/8" o.d.)	(2)
✓ 7	Diaphragm	(2)
9	Washer (.505" I.d.)	(2)
14	Screw (1/2" - 20 x 1")	(2)
15	Fluid Cap	(2)
16	Manifold	(2)

Item	Description (Size in inches)	(Qty)
18	Inlet Manifold	(2)
✓ 19	"O" Ring (3/32" x 1-9/16" o.d.)	(4)
21	Seat	(4)
✓ 22	Ball (1" dia.)	(4)
24	Washer (5/16")	(4)
26	Bolt (5/16" - 18 x 1")	(8)
29	Nut (5/16" - 18)	(16)
43	Ground Lug	(1)
✓	Parts included in 828864 & 828865 Fluid Kits	

FLUID SECTION REASSEMBLY

- Reassemble in reverse order.
- Clean and inspect all parts. Replace worn or damaged parts with new parts as required.
- Lubricate (1) diaphragm rod and (2) "O" ring with Lubriplate FML-2 included in service kit or Balcrank Synthetic grease P/N 826733.
- Be certain (7) diaphragm aligns properly with (15) fluid caps before making final torque adjustments on bolt and nuts to avoid twisting the diaphragm.
- Re-check torque settings after pump has been re-started and run a while.

AIR MOTOR SECTION SERVICE

Service is divided into two parts - 1. Pilot Valve, 2. Major Valve.
GENERAL REASSEMBLY NOTES:

- Air Motor Section Service is continued from Fluid Section repair.
- Inspect and replace old parts with new parts as necessary. Look for deep scratches on metallic surfaces, and nicks or cuts in "O" rings.
- Take precautions to prevent cutting "O" rings upon installation.
- Lubricate "O" rings with Balcrank Synthetic grease #826733.
- Do not over-tighten fasteners, refer to torque specification block on view.
- Re-torque fasteners following restart.

PILOT VALVE DISASSEMBLY

1. Remove (104) retaining ring.
2. Remove (123) screws and (122) "O" rings.
3. Remove (118) piston rod, (121) sleeve bushing, (119) "O" rings and (120) spacers from the (101) motor body.
4. Remove (103) sleeve and (102) "O" rings.

PILOT VALVE REASSEMBLY

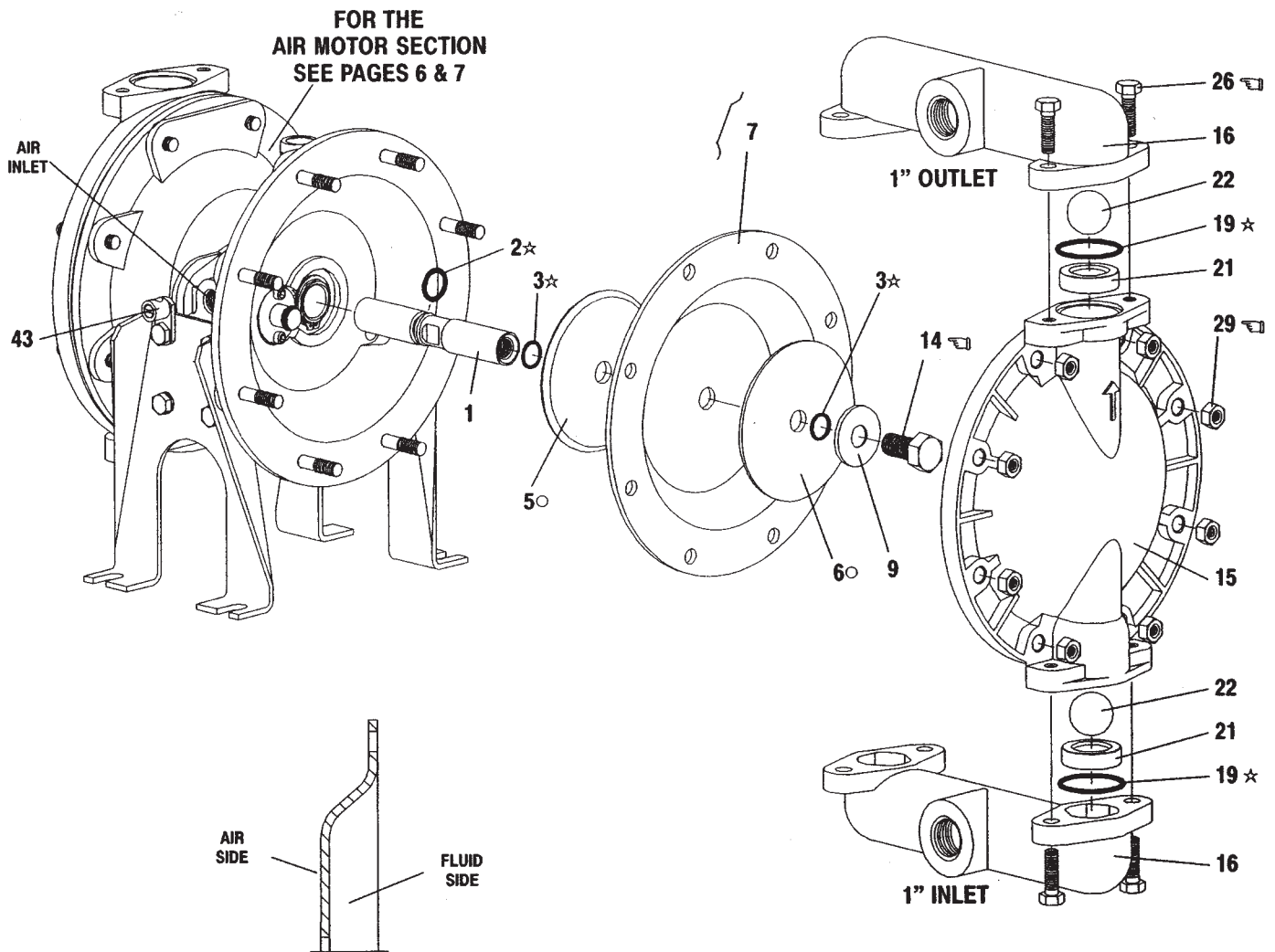
1. Replace two (102) "O" rings if worn or damaged and reinstall (103) sleeve.
2. Install one of the (121) sleeve bushings, (119) "O" rings, (120) spacers and the remaining (121) bushing.
3. Carefully push (118) pilot rod into bushings etc. and retain on each end with the two (122) "O" rings, retain with (123) screws.
4. Replace (104) retaining rings.

MAJOR VALVE DISASSEMBLY

1. Remove (107) leg, (108 and 117) gaskets.
2. On the side opposite the air inlet, push on the inner diameter (111) spool. This will force the (109) piston out. Continue pushing the (111) spool and remove. Check for scratches and gouges.
3. Reach into the air section (exhaust side) and remove (116) spacer, (115) spacers, (113) "O" rings, (114) "O" rings, (112) washers, etc. Check for damaged "O" rings.

MAJOR VALVE REASSEMBLY

1. Replace (112) washer, (114) "O" ring and (113) "O" ring onto (115) spacer and insert etc.
NOTE: Be careful to orient spacer legs away from blocking internal ports.
2. Lubricate and carefully insert (111) spool.
3. Install (117) gasket and (107).
4. Lubricate and install (110) packing cup and insert (109) piston into (air inlet side) cavity, the (110) packing cup lips should point outward.
5. Install (108) gasket and replace (107).



○ NOTE: Radius edge of parts (5 and 6) is against diaphragm.

TORQUE REQUIREMENTS

NOTE: DO NOT OVERTIGHTEN FASTENERS

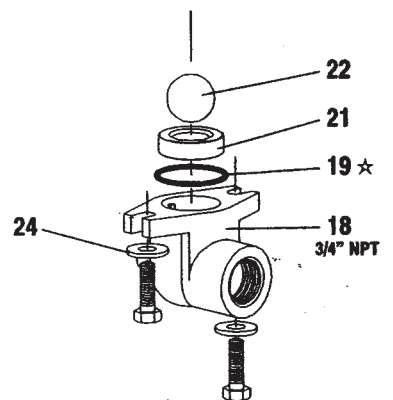
(14) Diaphragm Bolt 25 - 30 ft lbs (33.9 - 40.7 Nm),
apply Loctite 271 to threads.

(26, 29) Fluid Caps / Manifold nuts 120 - 140 in. lbs (13.6 - 15.8 Nm).

LUBRICATION / SEALANTS

☆ Apply Lubriplate FML-2 supplied in Service Kit or use
Balcrank Synthetic grease, p/n 826733.

FIGURE 1



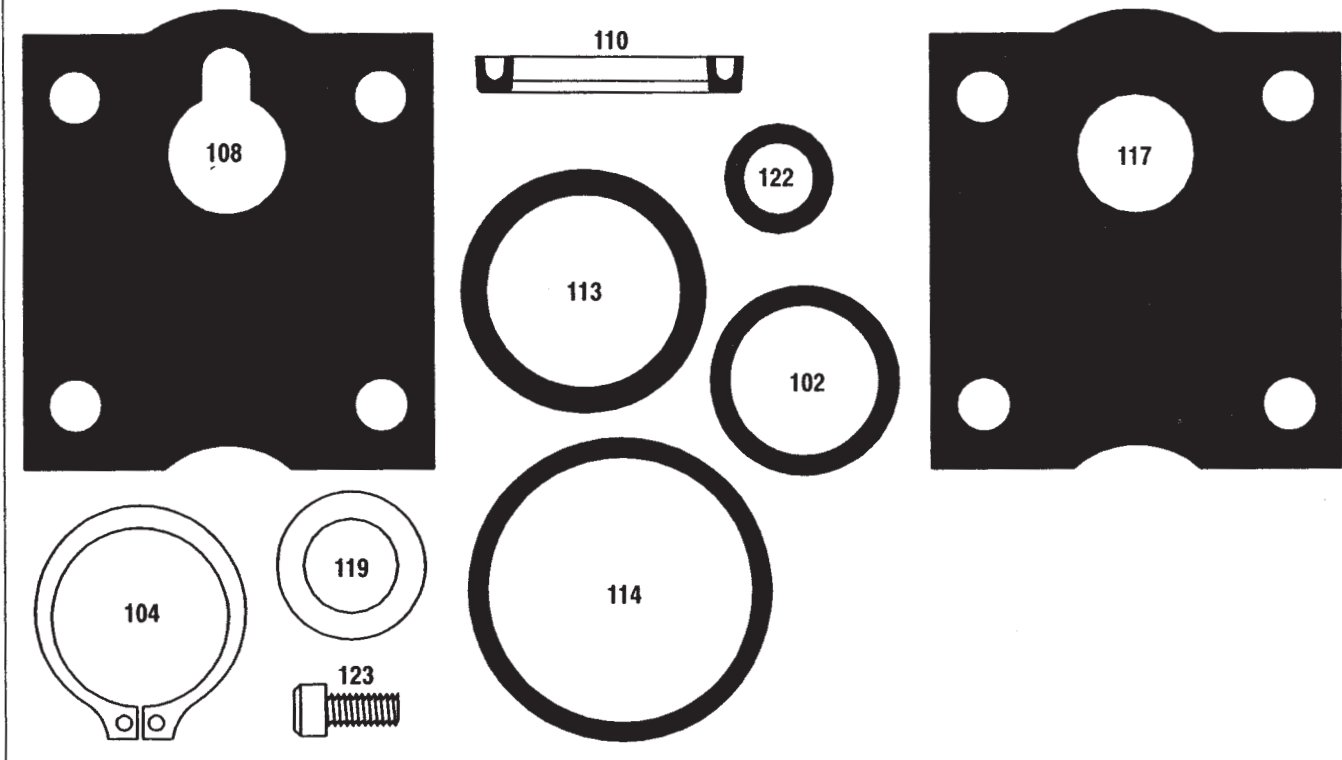
PARTS LIST / 1120-007 AIR MOTOR SECTION

ITEM	DESCRIPTION (Size in Inches)	QTY
101	Motor Body	(1)
✓102	"O" Ring (1/16" x 1" o.d.)	(2)
103	Sleeve	(1)
✓104	Retaining Ring, TruArc (.925" i.d.)	(2)
105	Screw / Washer (1/4" - 20 x 5/8")	(8)
107	Leg	(2)
✓108	Gasket (with notch)	(1)
109	Piston	(1)
✓110	"U" Cup (3/16" x 1-3/8" o.d.)	(1)
111	Spool	(1)
112	Washer (1.557" o.d.)	(5)
✓113	"O" Ring (small) (1/8" x 1-1/4" o.d.)	(5)
✓114	"O" Ring (large) (3/32" x 1-9/16" o.d.)	(6)
115	Spacer	(4)

ITEM	DESCRIPTION (Size in Inches)	QTY
116	Spacer	(1)
✓117	Gasket	(1)
118	Pilot Rod	(1)
✓119	"O" Ring (1/8" x 3/4" o.d.)	(4)
120	Spacer	(3)
121	Sleeve Bushing	(2)
✓122	"O" Ring (3/32" x 9/16" o.d.)	(2)
✓123	Screw (#8 - 32 x 3/8")	(4)
124	Stud (5/16" - 18 x 1-3/4")	(16)
128	Pipe Plug (1/8 - 27 n.p.t. x 1/4")	(1)
195	Button Head Screw (1/4" - 20 x 1/4")	(3)
201	Muffler	(1)
✓	Lubriplate FML-2 Grease Packet	(1)
✓ Indicates parts included in 828867 Air Section Service Kit.		

828867 AIR SECTION SERVICE KIT

See pages 6 & 7



PARTS LIST / 1120-007 AIR MOTOR SECTION

IMPORTANT
 BE CERTAIN TO ORIENT (115) SPACER LEGS
 AWAY FROM BLOCKING INTERNAL PORTS
 WHEN REASSEMBLING AIR SECTION.

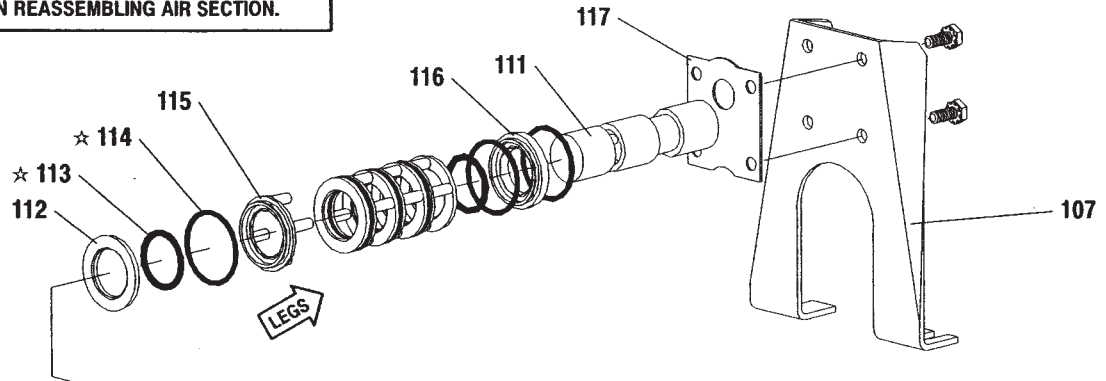
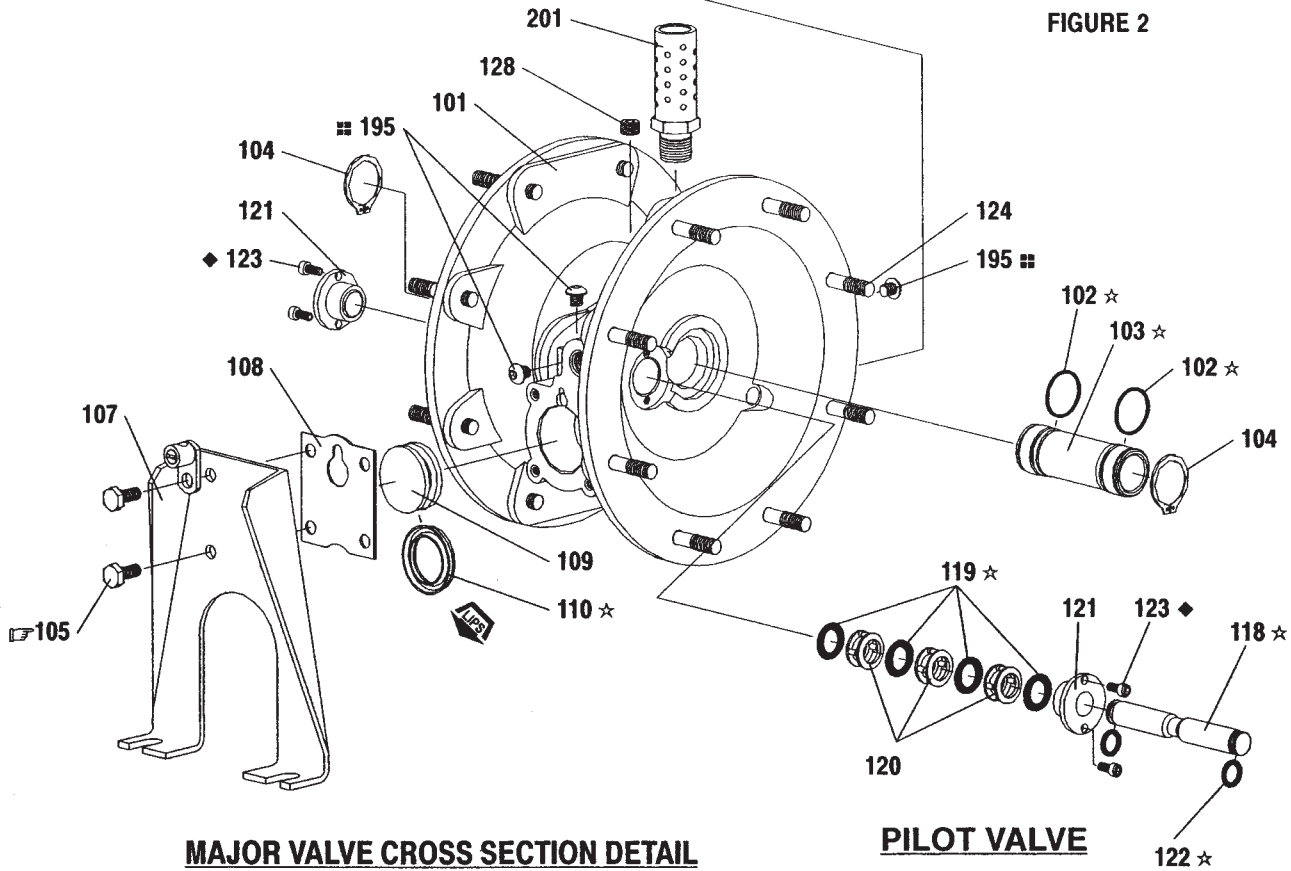


FIGURE 2



MAJOR VALVE CROSS SECTION DETAIL

PILOT VALVE

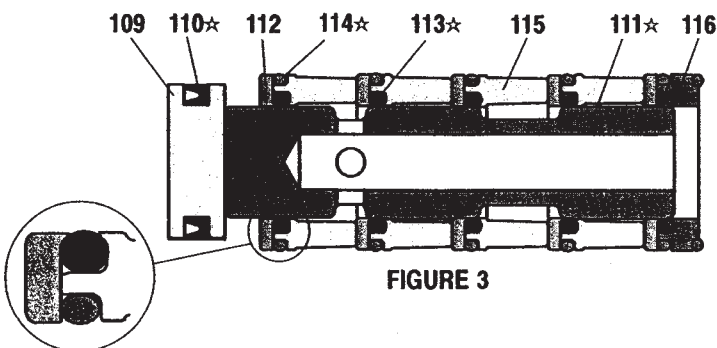


FIGURE 3

TORQUE REQUIREMENTS
 NOTE: DO NOT OVERTIGHTEN FASTENERS
 (105) 40 - 50 in. lbs (4.5 - 5.6 Nm).

LUBRICATION / SEALANTS

- ☆ Apply Lubriplate FML-2 when it is supplied in Service Kit, optional lubricant is Balcrank p/n 826733.
- ◆ Apply Loctite 271 to threads.
- ≡ Apply Dri-Loc 204 to threads.

TROUBLE SHOOTING

Product discharged from exhaust outlet.

- Check for diaphragm rupture.
- Check tightness of diaphragm nut.

Air bubbles in product discharge.

- Check connections of suction plumbing.
- Check "O" rings between intake manifold and fluid caps.
- Check tightness of diaphragm nut.

Low output volume, erratic flow, or no flow.

- Check air supply.
- Check for plugged outlet hose.
- Check for kinked (restrictive) outlet material hose.
- Check for kinked (restrictive) or collapsed inlet material hose.
- Check for pump cavitation – suction pipe should be sized at least as large as the inlet thread diameter of the pump for proper flow if high viscosity fluids are being pumped. Suction hose must be a non-collapsing type, capable of pulling a high vacuum.
- Check all joints on the inlet manifolds and suction connections. These must be air tight.
- Inspect the pump for solid objects logged in the diaphragm chamber or the seat area.

DIMENSIONAL DATA

(Dimensions shown are for reference only, they are displayed in inches and millimeters (mm).)

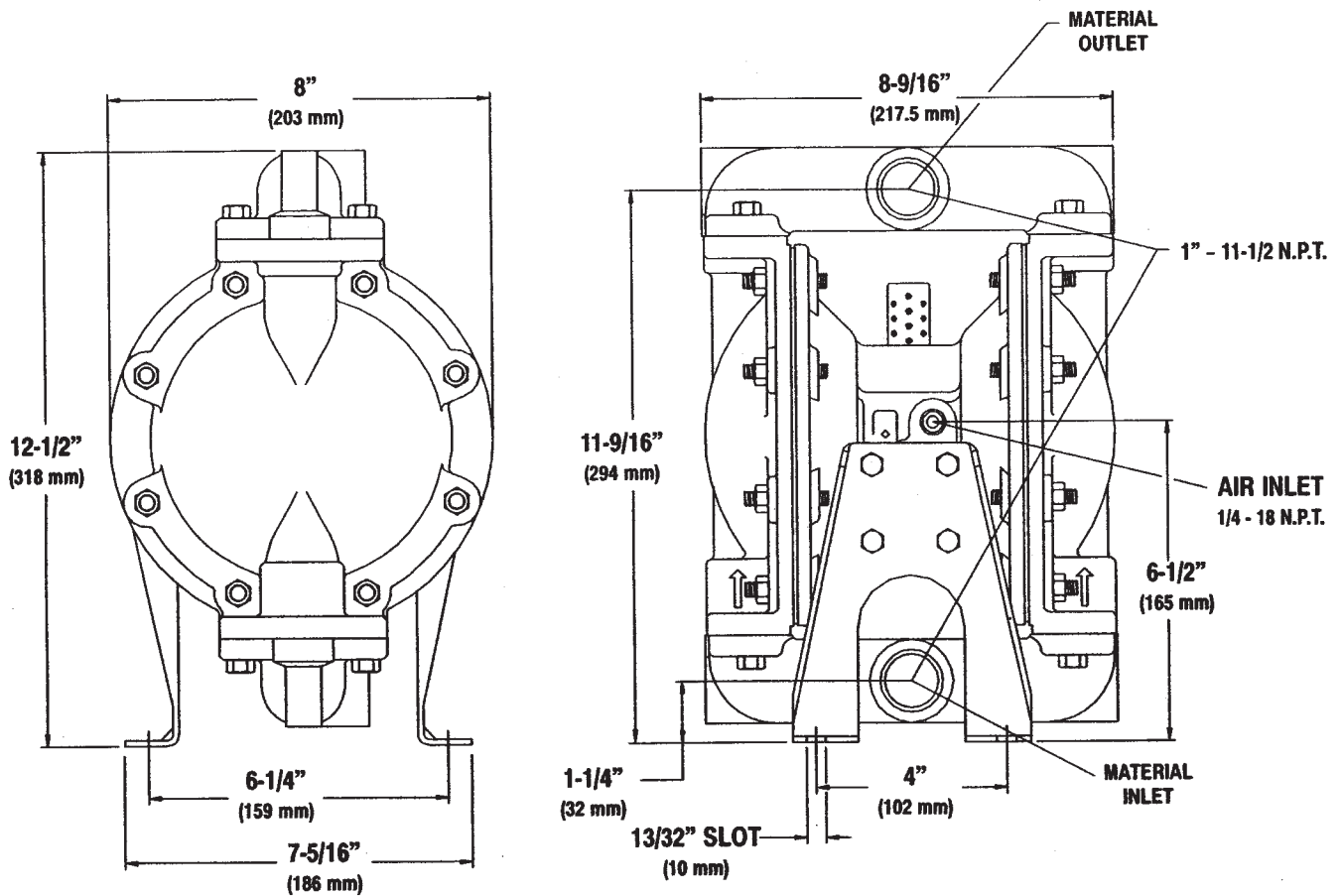


FIGURE 4

Balcrank