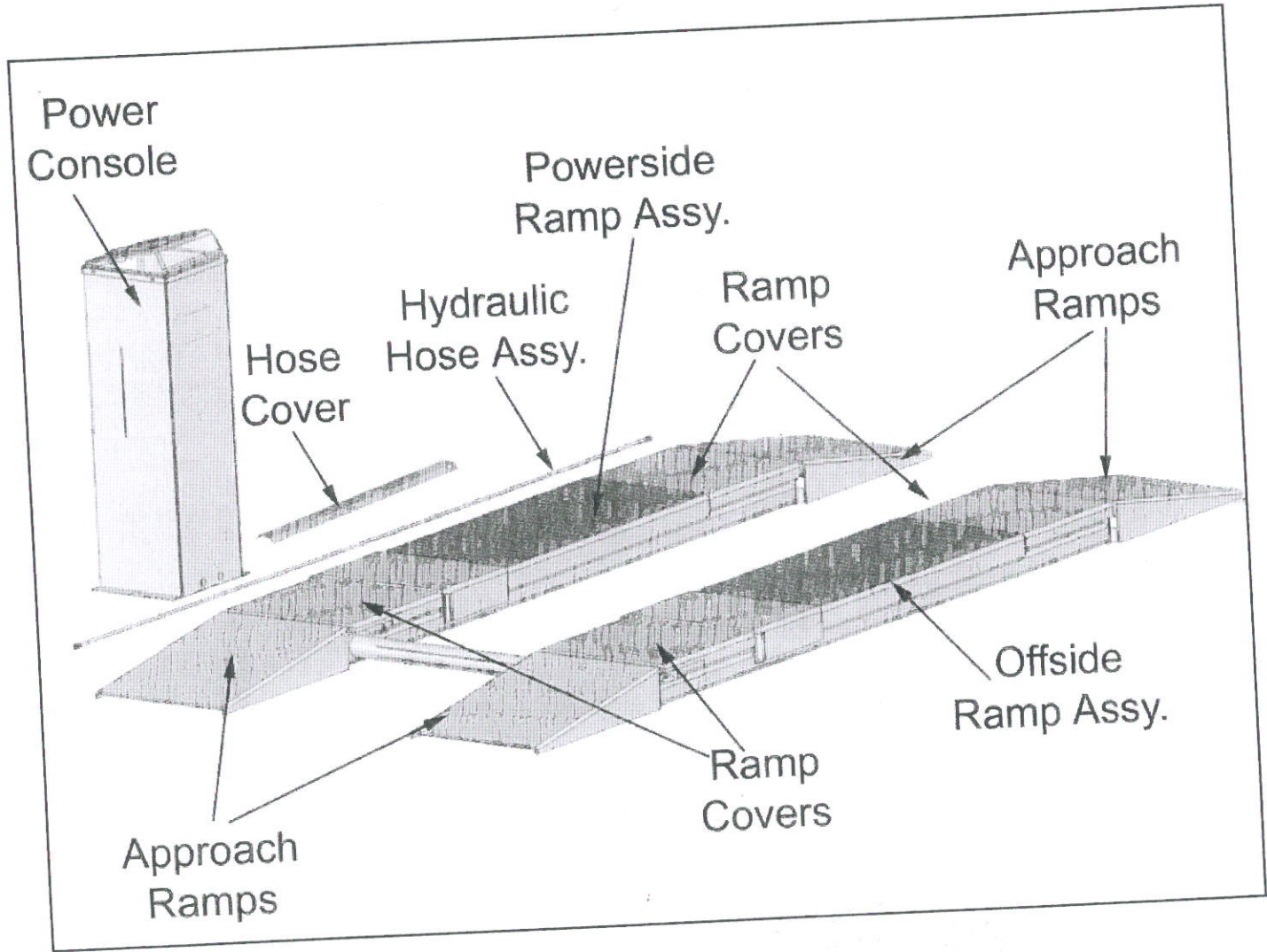


⚠ DANGER

When removing the lift from shipping angles or pallets pay close attention as the lift can slide and can cause injury. Prior to removing the lift make sure the lift is held securely by a fork lift or some other heavy lifting device.

PARTS INVENTORY
Be sure to take a complete inventory of parts prior to beginning installation.



Jobber's Equipment Warehouse
5440 N.W. 78 Avenue, Miami, FL 33166
Ph: 305-592-8750 / Fx: 305-592-6571
www.jobberstoolweb.com

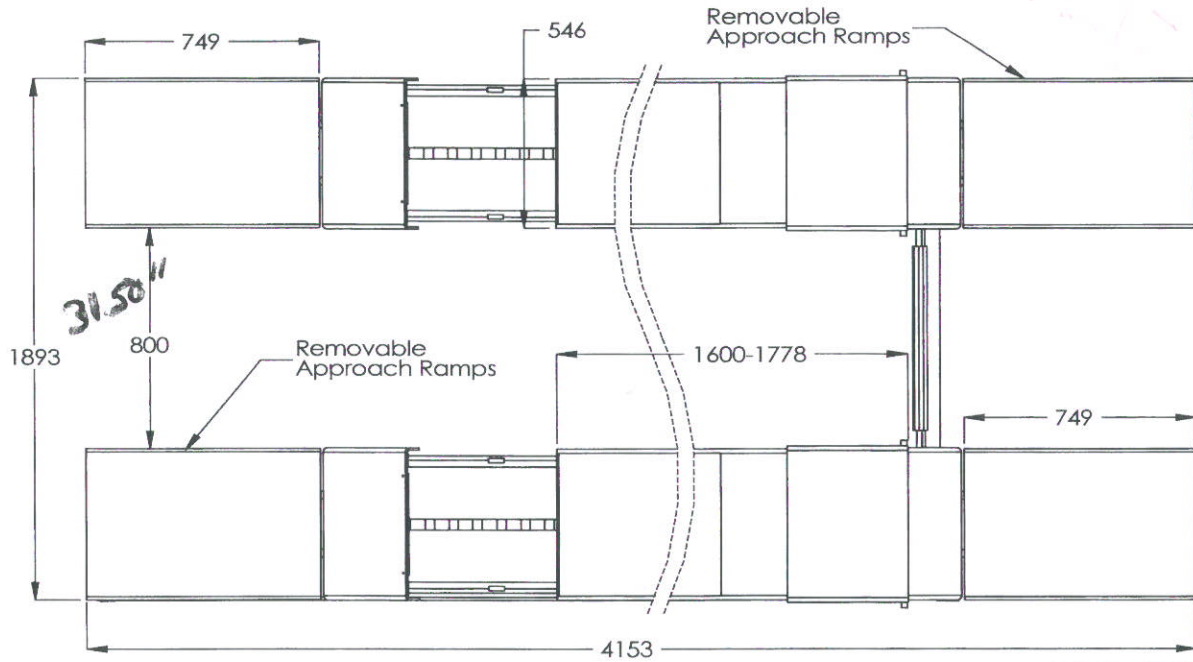
Jobber's Equipment Warehouse

5440 N.W. 78 Avenue, Miami, FL 33149

Ph: 305-592-8730 / Fx: 305-592-6571

www.jobbersfloorweb.com

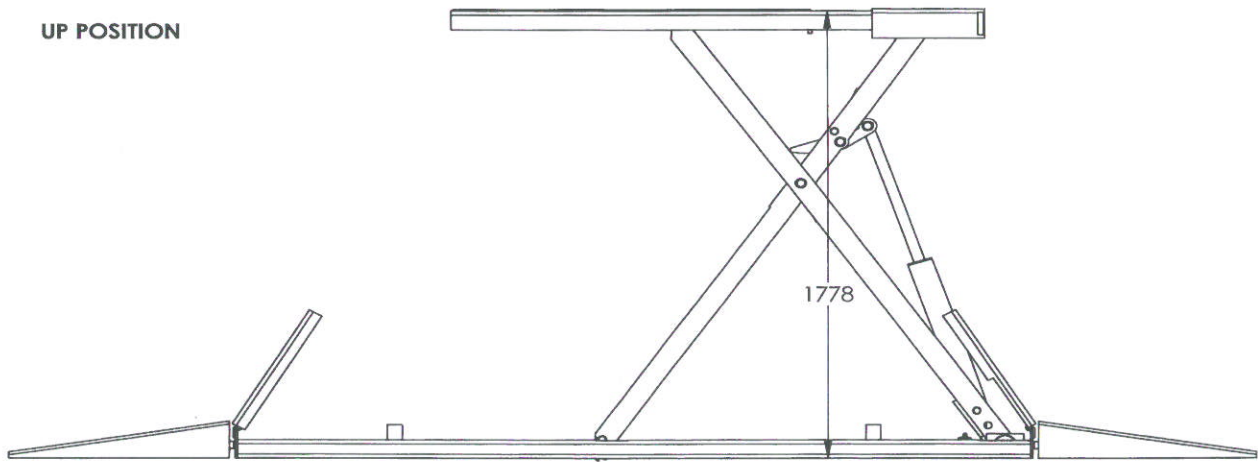
FLOORPLAN / LAYOUT DIMENSIONS



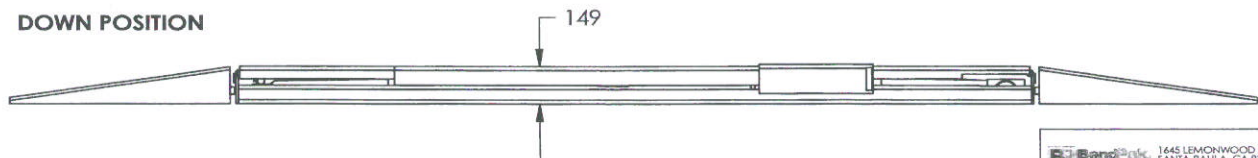
1. SOME PARTS WERE HIDDEN FOR CLARITY.

Bond Pak 1645 LEMONWOOD DR. SANTA PAULA, CA 93060	
TITLE: SP-7X LIFT	
SIZE DWG. NO. A SP-7X	REV A
SCALE: 1:30	SHEET 4 OF 4

UP POSITION



DOWN POSITION



1. SOME PARTS WERE HIDDEN FOR CLARITY.

Bond Pak 1645 LEMONWOOD DR. SANTA PAULA, CA 93060	
TITLE: SP-7X LIFT	
SIZE DWG. NO. A SP-7X	REV A
SCALE: 1:17	SHEET 3 OF 4