

Post-It® Fax Note	7671	Date	6/21	# of pages	▶
To	Angel	From	Megan		
Co./Dept.		Co.			
Phone #		Phone #	800 821 7320		
Fax #	305 892 6571	Fax #			

# HTJ-800C

## Parts List

SERIAL # 26-010000 & UP

# HTJ-800C

## Parts List

SERIAL # 26-010000 & UP

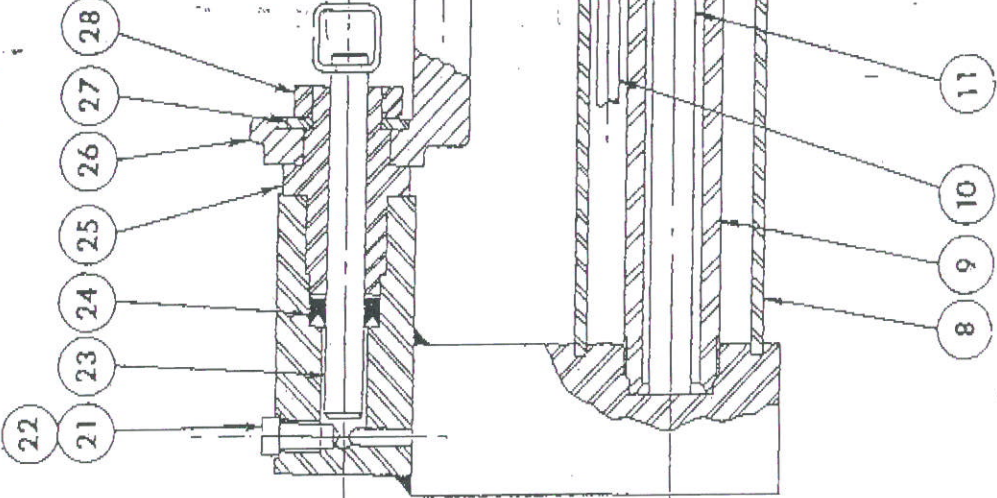
ITEM NO.	CODE NO.	NO. REQ'D.	DESCRIPTION
1	4-353-40021	1	Hydraulic Unit
2	1-230-11003	2	Retaining Ring, 3/8"
3	1-470-20002	1	Shaft, Pump
4	1-232-20040	1	Pump Handle Socket
5	0-235-21002	4	Roll Pin, 1/4 x 1 1/2
6	1-232-20041	1	Pump Handle Rod
7	1-232-20043	1	Handle Grip, 3/4 I.D.
8	1-390-11007	1	Wiper Ring, 2"
9	1-391-10002	1	Felt Ring, 2 3/4" O.D.
10	2-310-31001	1	Gland, 3" I.D.
11	<del>2-310-20005</del> N/A	1	Piston Rod
12	1-390-11011	1	Seal, 3" Dia.
13	1-390-11006	1	Wiper Ring, 3"
14	1-203-01005	1	Nut, 1/4-20, Self Locking
15	1-232-20050	1	Pedal, Up
16	0-205-01005	2	Rivet 1/4 x 1 3/4
17	0-203-51002	4	Palnut, 1/4"
18	1-232-40001	2	Control Rod
19	2-312-01005	1	Air Valve
21	2-826-04056	1	Valve Cover
22	0-200-31009	1	Capscrew, 1/4 x 1 3/4
23	1-275-01027	1	Pipe, 1/4 x 14 3/4
24	0-275-11001	2	Street Elbow 1/4
25	1-232-10002	2	Rod End
26	<del>5-826-02007</del> N/A	1	Base Weldment
27	2-480-11012	2	Caster, 4"
28	2-480-11013	2	Caster, 4", with Brake
29	1-203-01403	6	Nut, 1/2-13, Self Locking
30	1-232-20048	1	Pedal, Down
31	1-233-01002	1	Spring
32	1-826-04085	3	Spacer, Drilled
33	0-235-21013	5	Roll Pin, 3/16 x 7/8
34	1-200-31421	2	Capscrew, Special
35	2-232-20075	1	Crank, Side Tilt
36	1-826-04090	1	Spacer (Not Drilled)
37	1-826-04078	2	Nut, Tilt
38	1-825-01011	4	Ratchet Assy
39	2-825-04098	2	Trans. Bracket, Long
40	3-826-01016	1	CHAIN & SNAP ASSEMBLY
41	2-825-04099	2	Trans. Bracket, Short
42	1-202-01005	2	Capscrew, Flat HD, 1/4 x 1/2
43	0-235-21007	4	Roll Pin 1/4 x 7/8
44	3-826-02017	1	Adapter Weldment
45	1-825-04100	4	Angle Stop
46	1-826-02019	1	Side Tilt Shaft
47	1-826-04079	2	Trunnion, Tilt
48	4-826-02016	1	Pivot Bracket
49	0-200-31206	4	Capscrew 3/8 x 1
50	0-204-11201	4	Lockwasher, 3/8
51	2-826-02018	1	Hyd. Unit Bracket
52	1-826-04093	1	Long Tilt Shaft
53	2-232-20015	1	Crank (Lower)



# HYDRAULIC UNIT

## HTJ-800 C

SERIAL # 26-010000 & UP



HTJ-800C

KITS AVAILABLE

COMPLETE PLUNGER KIT 826-01013

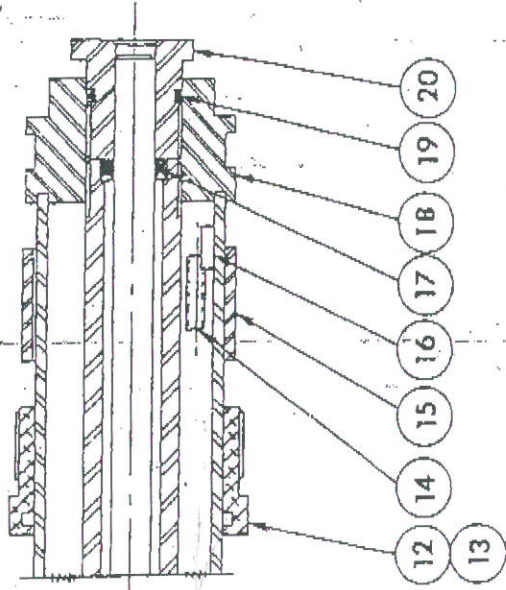
Contains items 23-24-25-27-28

PIECE PLUNGER KIT 826-01014

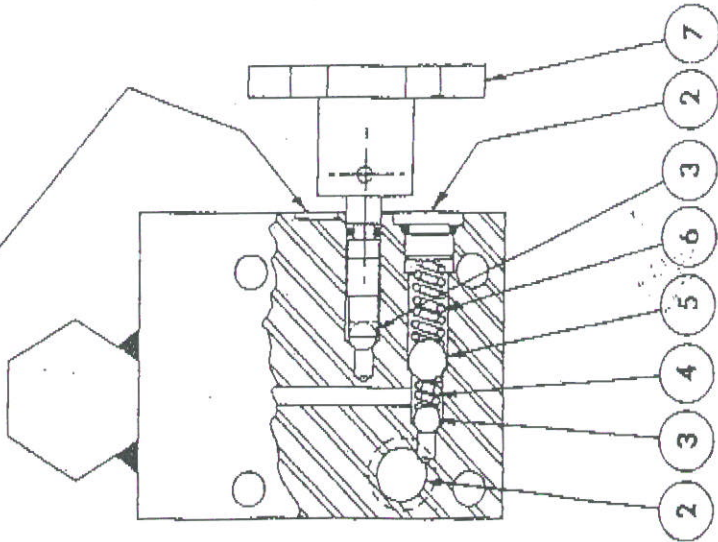
Contains items 23-24

SOFT SEAL KIT 826-01018

Contains items 13-17-19-24 and 8-9-12-13 on the frame drawl



**WARNING: DO NOT TAMPER WITH EXPANSION PLUG. HYDRAULIC RELIEF IS SET AT FACTORY**



# HYDRAULIC UNIT

## HTJ-800 C

SERIAL # 26-010000 & UP

Kit

ITEM NO.	NO. REQ'D	CODE NO.	DESCRIPTION
X 28	1	0-203-61708	Nut, Jam, 3/4-16UNF
X 27	1	0-204-01707	Washer, Rim
26	1	2-825-04001	Swivel Pivot
X 25	1	2-353-49123	Pump Sleeve
X 24	1	1-390-10007	Seal, 13/16 O.D., x 7/16 I.D. x 1/4 Deep
X 23	1	1-353-49175	Plunger Weldment
22	1	0-201-01101	Capscrew, SOC. HD, 5/16-18 UNC
21	1	1-390-20007	Gasket, Metallic V
20	1	2-353-49117	Guide, Ram
19	1	0-390-01010	O'Ring, 1 O.D. x 13/16 I.D., 3/32 Dia.
18	1	2-353-49118	Cap
17	1	1-390-10009	Seal, 11/16 O.D. x 7/16 I.D., 3/16 Deep
16	1	1-353-49010	Magnet
15	1	1-826-04026	Spacer
14	1	1-353-49059	Suction Tube, 22 5/8 Long
13	1	1-391-10001	Packing Gasket, Felt
12	1	1-353-43003	Packing Gland 2" Bore
11	1	1-353-42002	Ram
10	1	1-353-49060	Suction Tube, 6" Long
9	1	2-353-41023	Cylinder Tube
8	1	2-353-41024	Reservoir Tube
7	1	1-353-49120	Release Knob Subassy
6	1	1-233-12006	Spring, Compression, .406 O.D.
5	1	0-236-00006	Ball, 3/8 Dia., RC
4	1	1-233-10007	Spring, Compression, .250 O.D.
3	2	0-236-00005	Ball, 1/4 Dia., RC
2	2	1-274-34001	Plug,



## **HTJ TROUBLE SHOOTING AIR CYLINDER SECTION**

### **PROBLEM: AIR STAGE IS SLOWLY LEAKING DOWN**

#### Possible Solution:

- Find the source of the leak by charging the jack with air. Apply soapy water around the top of the air cylinder, air valve and air pipe (the pipe from the bottom of the cylinder to the valve).
- If the leak is from the top of the air cylinder – the cylinder seal & wiper ring may need replacing or the cylinder may be rusty, corroded or pitted. If these conditions are found, hone and replace the air seal & wiper.
- If leak is from the air valve – clean and/or rebuild air valve. A complete air valve or rebuilding kit may be purchased if needed.
- If leak is from the air pipe attaching the air valve and the cylinder – apply Teflon tape to pipe threads replace pipe if needed.

### **PROBLEM: AIR PISTON DROPS TOO QUICKLY WHEN DOWN PEDAL IS DEPRESSED**

#### Possible Solution:

- Jack is leaking air and allowing the air piston to rest on the down stop. Find source of leak and repair. See above procedures for locating an air leak.

### **PROBLEM: AIR PISTON WILL NOT RISE**

#### Possible Solution:

- Jack has an air leak. Refer to above procedures for locating an air leak and repair.
- Air valve is dirty. Follow air valve cleaning procedures.
- Air valve is worn. Rebuild with kit or replace entire valve.
- Air pipe from valve to cylinder is plugged. Clean or replace pipe.
- Grease has plugged air inlet hold on cylinder. Remove elbow and air pipe. Unplug with paper clip.
- Air piston has bottomed out inside the cylinder. Remove the air piston and place a flat washer in the bottom of the cylinder to keep the piston up off the cylinder bottom. This will allow the air to get beneath the piston.
- Air piston is sticking. Add graphite grease mixed with hydraulic oil in hole located above safety lock while piston is in up position. Cycle jack up & down 2-3 times.

### **PROBLEM: HYDRAULIC AND/OR AIR PISTON HAVE EXCESSIVE SIDE TO SIDE MOTION**

#### Possible Solution:

- Gland nuts are worn. Replace gland nuts.
- Apply more air to the cylinder after the air piston has reached full height. Air cylinder is leaking allowing the piston to rest on the down stop. Find source of leak and repair.

## **HTJ TROUBLE SHOOTING HYDRAULIC UNIT SECTION**

### **PROBLEM: HYDRAULIC UNIT WILL NOT PUMP UP**

#### Possible Solutions:

- Hydraulic unit has lost its prime.
  - Follow this priming procedure:
    1. Tilt entire jack over on its side with the pump handle pointing down.
    2. Open release knob and start pumping handle until resistance is felt.
    3. Close the release knob and continue pumping handle while restoring the jack upright.
- On HTJ-800C & B models only = Make sure the ¼" steel ball is still in place behind the release knob.
- Check balls are dirty and/or not seating. Clean and re-seat check balls.

### **PROBLEM: HYDRAULIC UNIT DROPS TOO QUICKLY**

#### Possible Solutions:

- Check balls are sticking. Remove, clean and re-seat check balls.
- On HTJ-800C & B models only. Check balls behind release knob is sticking. Remove knob and check for damage to the end of the release knob. If damaged, replace knob. If not, clean and re-seat check ball.
- Dirt or foreign material has contaminated the hydraulic fluid causing a blockage. Drain fluid, free blockage and replenish with **hydraulic oil only**.

### **PROBLEM: HYDRAULIC UNIT IS SLOWLY LEAKING DOWN**

#### Possible Solutions:

- Look for any external oil leaks. If leak(s) are found, locate the source of the leak(s). Replace worn parts as needed.
- Check balls are not seating. Remove, clean and re-seat check balls.
- Release knob is bent. Replace knob if needed.
- On HTJ-800C & B models only. Check ball behind the release knob is not seating. Remove, clean and re-seat.

### **PROBLEM: OIL IS LEAKING FORM AROUND THE PUMP PLUNGER**

#### Possible Solutions:

- Plunger seal is worn. Replace seal if needed.
- Pump plunger and/or plunger sleeve is worn. Replace with a new complete plunger kit.

### **PROBLEM: OIL IS LEAKING FROM DOWN STOP HOLE ON THE AIR CYLINDER**

#### Possible Solutions:

- Seal in the bottom of the hydraulic unit is worn. Replace with a new seal or complete seal kit if needed.

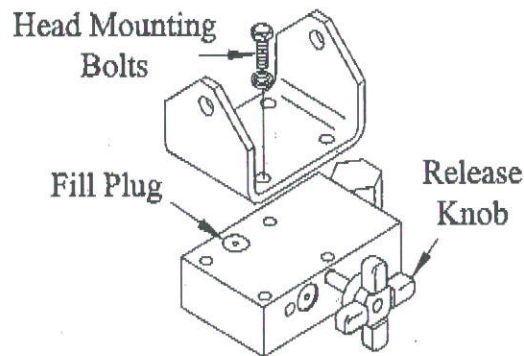


# Hydraulic Unit Operation

(HTJ-800C & HTJ-1000)

With all four casters of the jack resting on the floor, lower the hydraulic stage fully and remove the head assembly by extracting the four head mounting bolts. Carefully clean the top of the jack to remove all dirt, especially in the vicinity of the fill plug. Remove the release knob by turning counterclockwise. Remove the fill plug and using a squirt-oil can, slowly add Tellus T22 oil (or equivalent) until reservoir overflows. Note: The release knob opening serves as reservoir vent during filling. Be sure to reinstall release knob and fill plug, and then remount the head assembly.

## Replenishing Oil Supply



## Priming Instructions

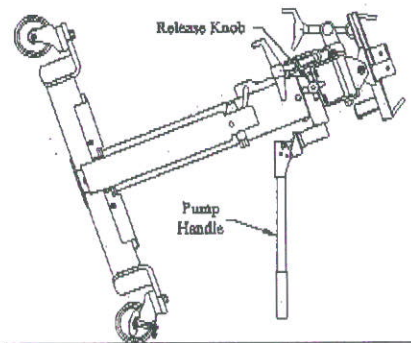


Figure 1

- Tilt entire jack over on two casters with the pump handle down as shown in Figure 4.
- Open hydraulic release valve by turning release knob and operate the pump handle until resistance is felt.
- Close hydraulic release valve and continue pumping handle while restoring jack to upright position.