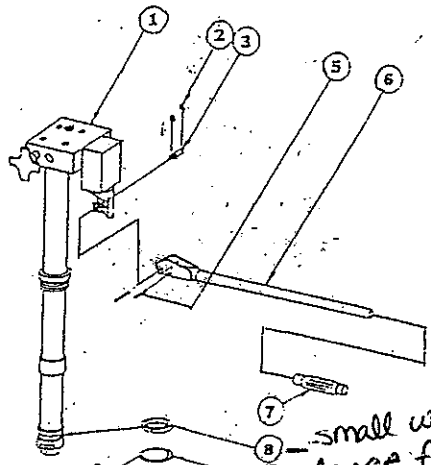
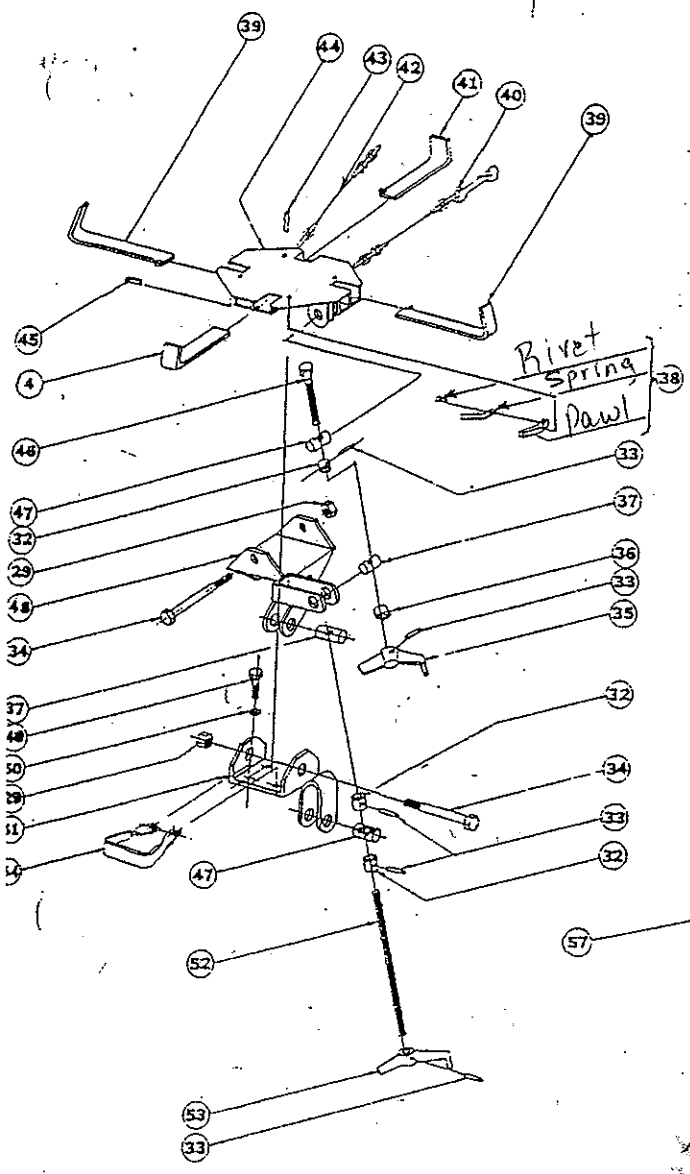


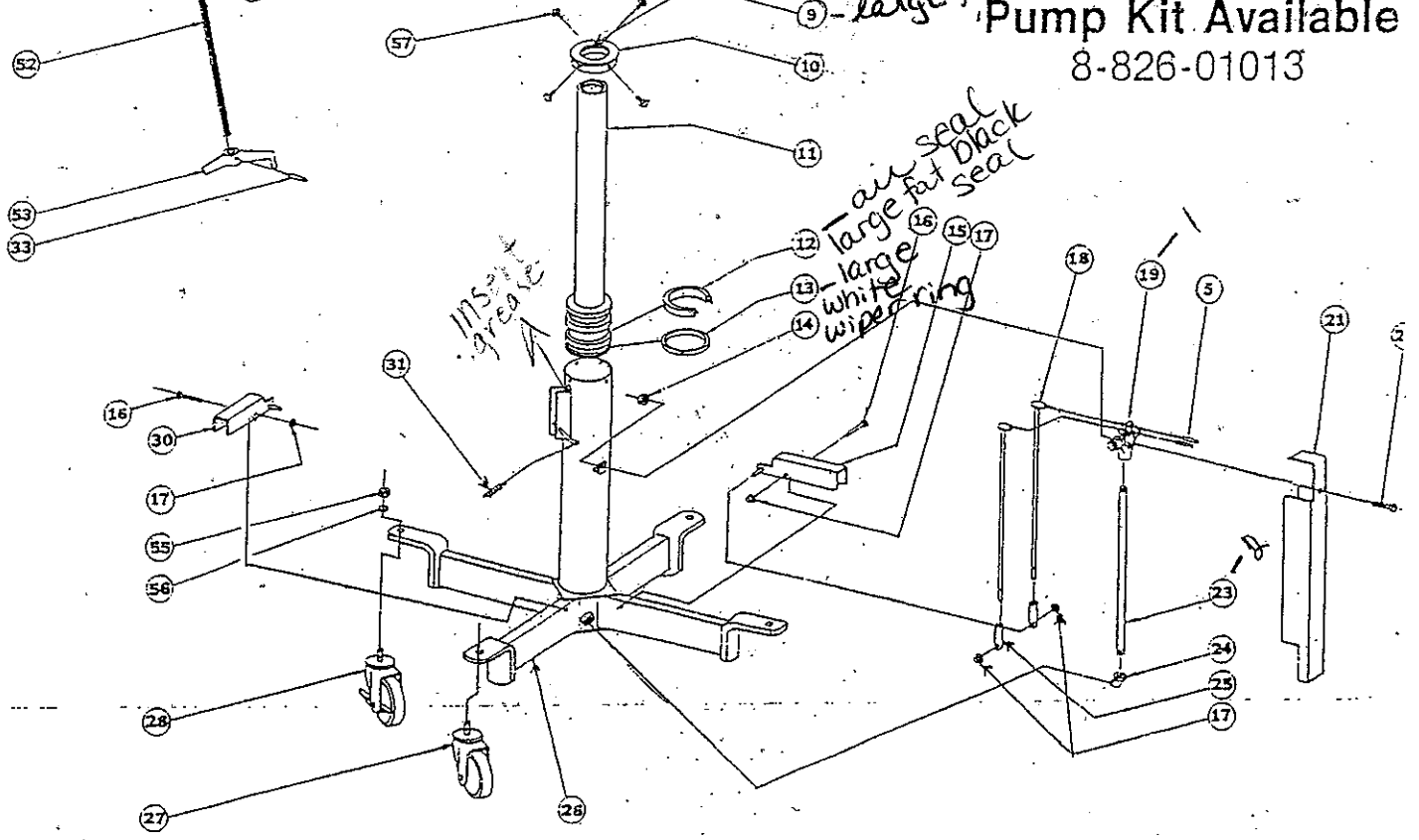
HTJ-1000 PARTS LIST

SERIAL # 48-001000 & UP



Seal Kit Available
8-848-01001

7 - small white wiper ring
8 - small white felt ring
9 - large felt ring
Pump Kit Available
8-826-01013



HTJ-000

PARTS LIST

SERIAL# 48-001000 & UP

ITEM NO.	REQ'D.	CODE NO.	DESCRIPTION	ITEM NO.	REQ'D.	CODE NO.	DESCRIPTION
1	1	4-353-40026	Hydraulic Unit	30	1	1-232-20048	Pedal, Down
2	2	1-230-11003	Retaining Ring, 3/8"	31	1	1-233-01002	Spring
3	1	1-470-20002	Shaft Pump	32	3	1-826-04085	Spacer, Drilled
4	1	1-826-04096	Bracket, Trans.	33	5	0-235-21013	Roll Pin, 3/16 x 7/8
5	4	0-235-21002	Roll Pin, 1/4 x 1 1/2	34	2	1-200-31421	Capcrew, Special
6	1	1-232-20040	Pump Handle Rod	35	1	2-232-20075	Crank, Side Tilt
7	1	1-232-20001	Handle Grip, 7/8 I.D.	36	1	1-826-04090	Spacer (Not Drilled)
8	1	*1-390-11007	Wiper Ring, 2"	37	2	1-826-04078	Nut, Tilt
9	1	*1-391-10002	Felt Ring, 2 3/4" O.D.	38	4	1-825-01011	Ratchet Assy
10	1	2-310-31004	Gland, 4" Bore	39	2	2-825-04098	Trans. Bracket, Long
11	1	2-310-20022	Piston Rod	40	1	1-826-01016	Chain & Snap Assembly
12	1	*1-390-11067	Seal, 4" Dia.	41	1	2-825-04099	Trans. Bracket, Short
13	1	*1-390-11015	Wiper Ring, 4" Bore	42	1	1-234-39014	Chain 1/0, 42 Links
14	1	1-203-01005	Nut, 1/4 -20, Self Locking	43	4	0-235-21007	Roll Pin 1/4 x 7/8
15	1	1-232-20050	Pedal, Up	44	1	3-826-02017	Adapter Weldment
16	2	0-205-01005	Rivet 1/4 x 1 3/4	45	3	1-825-04100	Angle Stop
17	4	0-203-51002	Palnut, 1/4"	46	1	1-826-02019	Side Tilt Shaft
18	2	1-232-40001	Control Rod	47	2	1-826-04079	Trunnion, Tilt
19	1	2-312-01005	Air Valve	48	1	4-826-02016	Pivot Bracket
21	1	2-826-04056	Valve Cover	49	4	0-200-31206	Capcrew 3/8 x 1
22	1	0-200-31009	Capcrew, 1/4 x 1 3/4	50	4	0-204-11201	Lockwasher, 3/8
23	1	1-275-01027	Pipe 1/4 x 14 3/4	51	1	2-826-02018	Hyd. Unit Bracket
24	2	0-275-11001	Street Elbow 1/4	52	1	1-826-04093	Long Tilt Shaft
25	2	1-232-10002	Rod End	53	1	2-232-20015	Crank (Lower)
26	1	4-848-02001	Base Weldment	54	1	2-826-04113	Tow Handle
27	2	2-480-11012	Caster, 4"	55	4	0-203-11401	Nut, Hex, Jam, 1/2"
28	2	2-480-11013	Caster, 4", with Brake	56	4	1-204-21400	Washer, Lock, 1/2"
29	4	1-203-01403	Nut, 1/2 -13, Self Locking	57	4	1-202-01210	Capcrew, 3/4 Long, Self-Loc

deal kit
** includes * 5 7/8 m8*

8848-01001

Small felt ring → inside 2" gland nut on hydraulic unit

HYDRAULIC UNIT

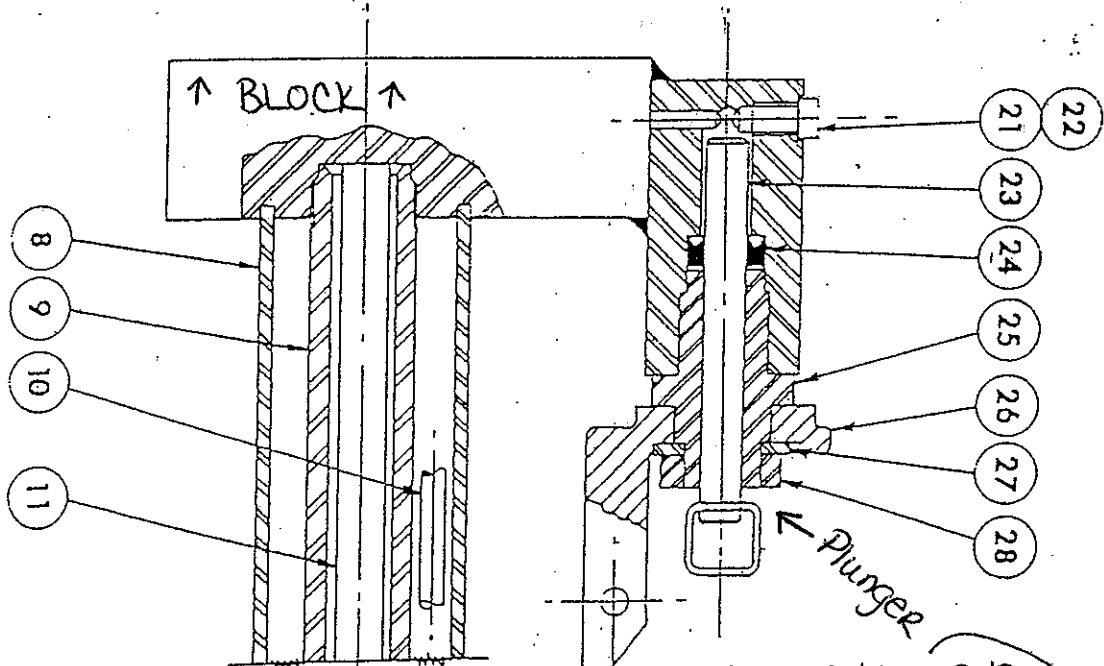
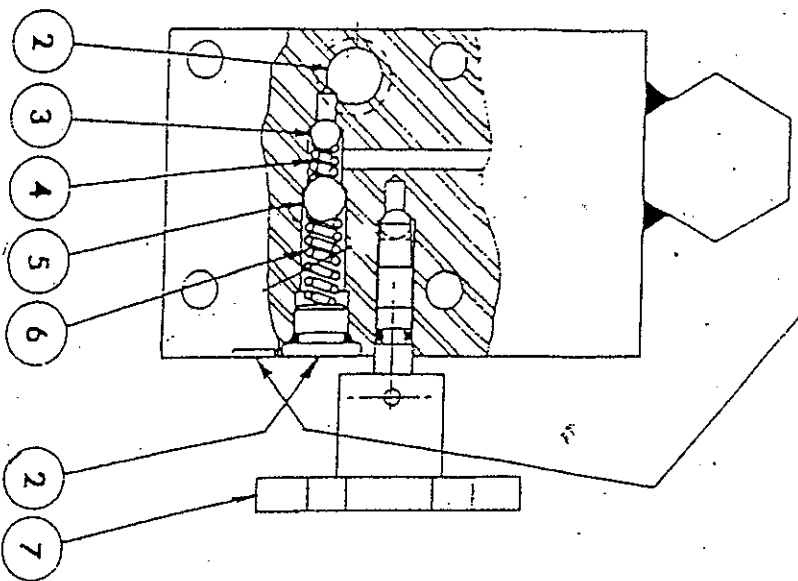
HTJ-1000

SERIAL# 48-001000 & UP

HTJ-1000

KITS AVAILABLE

WARNING: DO NOT TAMPER WITH EXPANSION PLUG, HYDRAULIC RELIEF IS SET AT FACTORY

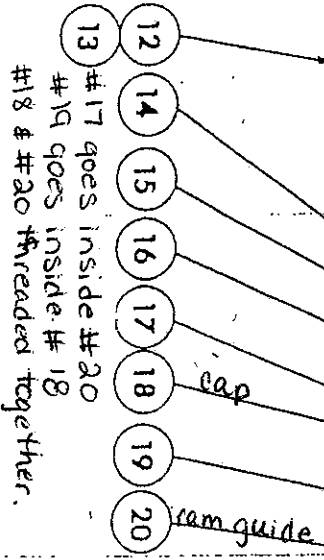


COMPLETE PLUNGER KIT 826-01013
Contains items 23-24-25-27-28

3 PIECE PLUNGER KIT 826-01014
Contains items 23-24

SOFT SEAL KIT 848-01001
contains items 13-17-19-24
and 8-9-12-13 on the frame drawing

2" gland nut
#17 lip faces fluid
faces up toward the block



#17 goes inside #20
#19 goes inside #18
#18 & #20 threaded together.

HYDRAULIC UNIT

HTJ-1000

ITEM NO.	NO. REQ'D	CODE NO.	DESCRIPTION
28 ✓	1	0-203-61708	Nut, Jam, 3/4 -16 UNF
27 ✓	1	0-204-01707	Washer, Rim
26	1	2-825-04001	Swivel Pivot
25 ✓	1	2-353-49123	Pump Sleeve
24 ✓	1	1-390-10007	Seal, 13/16 O.D., x 7/16 I.D. x 1/4 Deep ^{larger white chunky seal}
23 ✓	1	353-49175	Plunger Weldment
22	1	0-201-01101	Capscrew, SOC. HD, 5/16 -18 UNC
21	1	1-390-20007	Gasket, Metallic
20	1	2-353-49117	Guide, Ram
19	1	0-390-01010	O'Ring, 1 O.D. x 13/16 I.D., 3/32 Dia. ^{black oring}
18	1	2-353-49118	Cap
17	1	1-390-10009	Seal, 11/16 O.D. x 7/16 I.D., 3/16 Deep ₂
16	1	1-353-49010	Magnet
15	1	1-826-04026	Spacer
14	1	1-353-49059	Suction Tube, 22 5/8 Long
13	1	1-391-10001	Packing Gasket, Felt
12	1	1-353-43003	Packing Gland 2" Bore
11	1	1-353-42002	Ram - solid steel ram
10	1	1-353-49060	Suction Tube, 6" Long - thin steel rod, threaded
9	1	2-353-41023	Cylinder Tube
8	1	2-353-41024	Reservoir Tube - very outer tube
7	1	353-49168	Release Knob Subassy
6	1	1-233-12002	Spring, Compression, .406 O.D.
5	1	0-236-00006	Ball, 3/8 Dia., RC
4	1	1-233-10007	Spring, Compression, .250 O.D.
3	1	0-236-00005	Ball, 1/4 Dia., RC
2	2	1-274-34001	Plug,