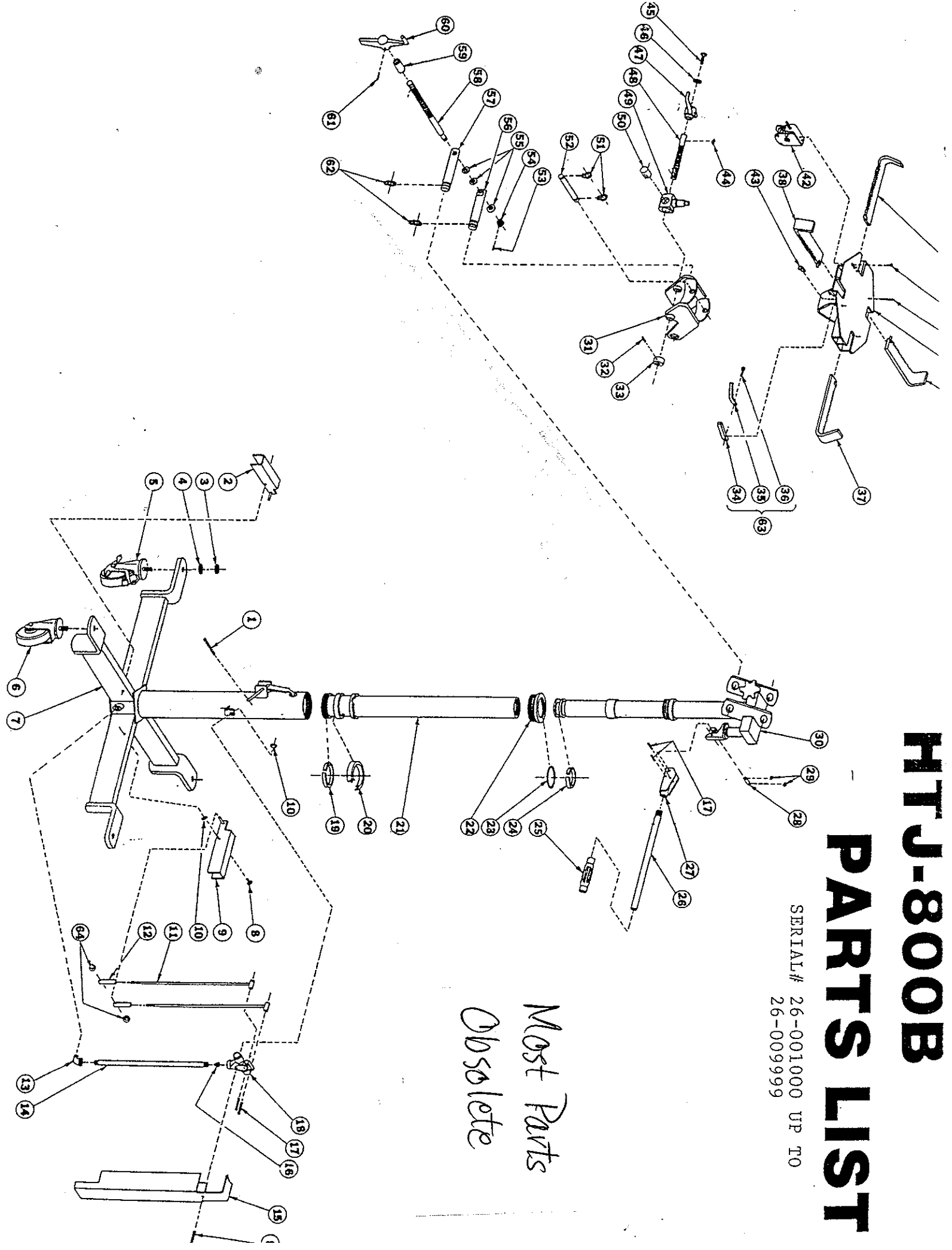


HTJ-800B

PARTS LIST

SERIAL# 26-001000 UP TO
26-009999

*Most Parts
Obsolete*





Professional Service Equipment

3501 S. Leonard Rd.

P.O. Box 728

St. Joseph, MO U.S.A. 64502

1-800-821-7320

(816) 233-6121

FAX (816) 233-7251

or (816) 387-8157

www.grayusa.com

ITEM	QTY	PART NUMBER	DESCRIPTION
1	1	233-01002	Spring
2	1	232-20048	Pedal, Down
3	4	203-11401	Nut, Hex, Jam, 1/2-13UNC
4	4	204-21400	Washer, Lock, 1/2
5	2	480-11013	Caster, 4", With Brake
6	2	480-11012	Caster 4"
7	1	826-02007	Base Weldment
8	3	200-31009	Cap Screw, 1/4 x 1-3/4
9	1	232-20050	Pedal, Up
10	3	203-01005	Nut, 1/4-20, Self Locking
11	2	232-40001	Control Rod
12	2	232-10002	Rod End
13	1	275-11001	Street Elbow, 1/4"
14	1	275-01027B	Pipe 1/4 x 14-3/4, With Orifice
15	1	826-04056	Valve Cover
16	1	275-20008	Plug, Special, 1/8 NPT, Orifice
17	4	235-21002	Roll Pin, 1/4 x 1-1/2
18	1	312-01005	Air Valve
19	1	390-11006	Wiper Ring, 3" Bore
20	1	390-11011	Seal, 3" Dia
21	1	310-20005	Piston Rod
22	1	310-31001	Gland, 3" Bore
23	1	391-10002	Felt Ring, 2-3/4" OD
24	1	390-11007	Wiper Ring, 2"
25	1	232-20001	Handle Grip 7/8 ID
27	1	232-20040	Pump Handle Rod
28	1	470-20002	Shaft, Pump
29	2	230-11003	Retaining Ring, 3/8"
30	1	353-40007	Hydraulic Unit
31	1	826-02008	Support Bracket
32	1	235-21006	Roll Pin, 3/16x1-1/4
33	1	826-04059	Collar, Side Tilt Control
37	2	825-04098	Trans. Bracket, Long
38	2	825-04099	Trans. Bracket, Short
39	1	825-02018	Adapter, Transmission
40	4	235-21007	Roll Pin 1/4x7/8
41	2	202-01005	Cap screw, Flat Hd, 1/4-20UNC
42	1	826-01010	Reel Sub-Assembly
43	4	825-04100	Angle Stop
44	1	235-31002	Key, Woodruff #3
45	1	202-01101	Cap screw, Hex Hd, 5/16-24UNF
46	1	204-01101	Washer, Flat, 5/16
47	1	232-20054	Crank, Drilled/Keyed, 5/8 Bore
48	1	470-52008	Shaft, Special, 5/8 Dia
49	1	825-04097	Yoke, Tilt Control
50	1	825-04102	Nut, Side Tilt Adjustment
51	2	230-12006	Retaining Ring, External E 5/8
52	1	470-22006	Shaft, Grooved Ends, 5/8 Dia

HTJ-800B HI-RISE TRANSMISSION JACK
 PARTS LIST
 SERIAL # 26-001000 TO 26-009999

ALL PRICES SUBJECT TO TAX AND FREIGHT.



Professional
Service
Equipment

3501 S. Leonard Rd.

P.O. Box 728

St. Joseph, MO U.S.A. 64502

1-800-821-7320

(816) 233-6121

FAX (816) 233-7251

or (816) 387-8157

www.grayusa.com

PARTS LIST		SERIAL # 26-001000 TO 26-009999	
ITEM	QTY	PART NUMBER	DESCRIPTION
			COST (EACH)
PRICES GOOD THRU 12/29/00.			
ALL PRICES SUBJECT TO TAX AND FREIGHT.			
53	1	235-20004	Roll Pin, 1/8x5/8
54	1	203-31401	Nut, Slotted, Hex 1/2-13UNC
55	3	204-01401	Washer, Flat, 1/2x18 Ga
56	1	470-54003	Shaft, Special, 1"x5-3/8"
57	1	470-54002	Shaft, Special, 1"x5-5/8"
58	1	470-52003	Shaft, Special 5/8"x12-13/16"
59	1	8082-52043	Tubing, Round 7/8"x13 Ga Wall
60	1	232-20015	Crank, Lower
61	1	235-21001	Roll Pin, 3/16x1
62	4	230-13000	Retaining Ring, External, 1" Dia
63	4	825-01011	Ratchet Pawl Assembly
64	2	203-51002	Pinnut, 1/4"
			DNO1000

H1J-800B
KITS AVAILABLE

COMPLETE PLUNGER KIT 825-01014
Contains items 24-29-30-31-32-34

3 PIECE PLUNGER KIT 825-01013
Contains items 24-29-34

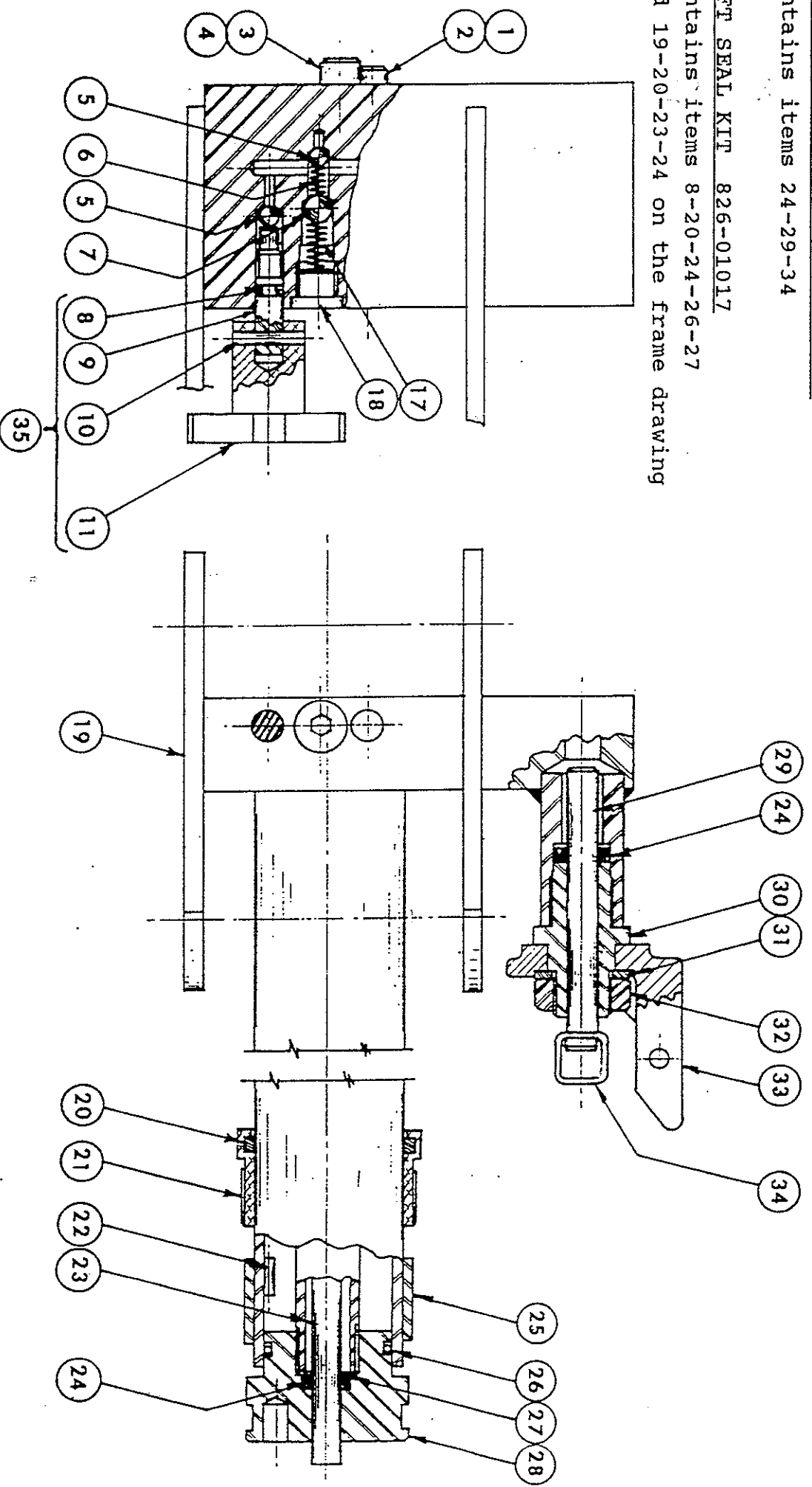
SOFT SEAL KIT 826-01017
Contains items 8-20-24-26-27
and 19-20-23-24 on the frame drawing

H1J-800B

PARTS LIST

Hydraulic Unit

SERIAL# 26-001000 & UP TO
26-009999





Professional Service Equipment

3501 S. Leonard Rd.

P.O. Box 728

St. Joseph, MO USA 64502

1-800-821-7320

(816) 233-6121

FAX (816) 233-7251

or (816) 387-8157

www.grayusa.com

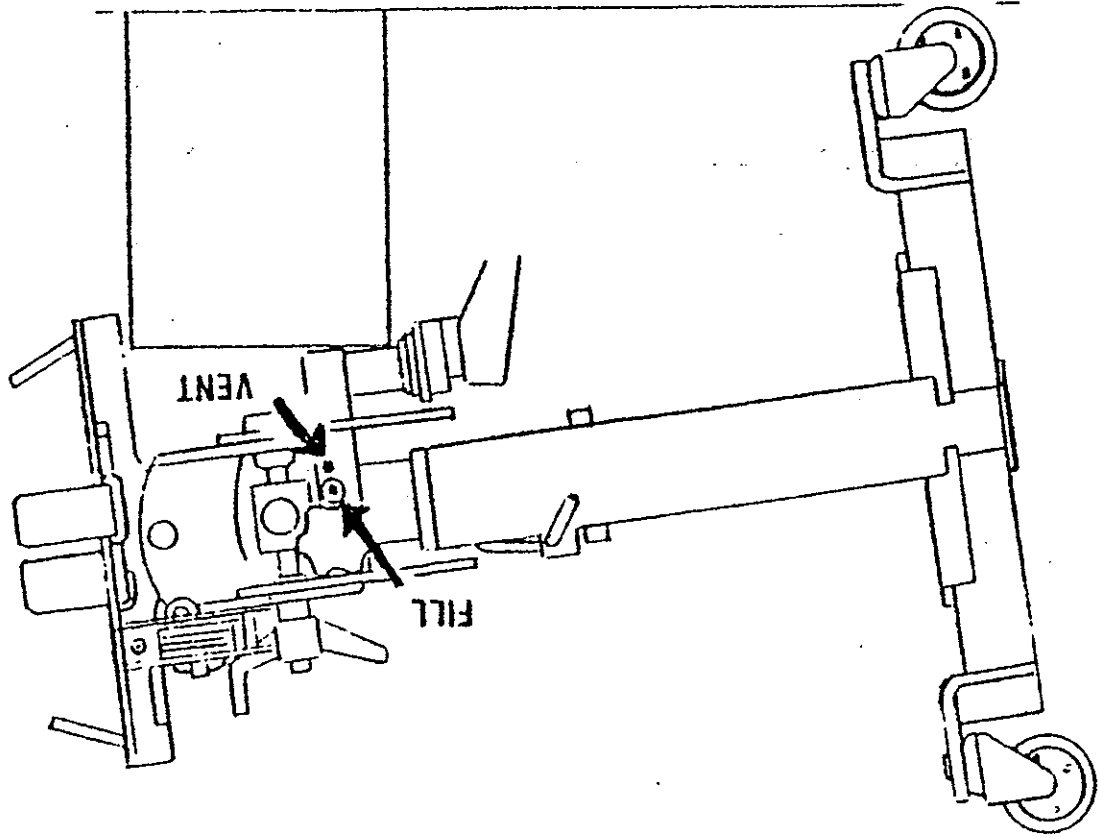
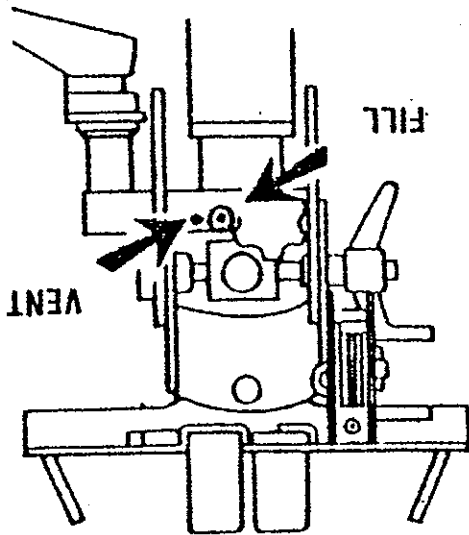
HTJ-800B HYDRAULIC UNIT		PARTS LIST		SERIAL # 26-001000 TO 26-009999	
ITEM	QTY	PART NUMBER	DESCRIPTION		
1	1	201-11002	Capcrew, Soc Hd, 1/4x1/2		Not Available
2	1	390-20006	Gasket, Metallic		
3	1	201-11202	Capcrew, Soc Hd, 3/8x1/2		
4	1	390-20005	Gasket, Metallic		
5	2	236-00005	Ball, 1/4" Dia., RC		
6	1	233-10007	Compression Spring, .250 OD		
7	1	236-00006	Ball, 3/8" Dia., RC		
17	1	233-12002	Compression Spring, .406 OD		
18	1	274-34001	Plug w/O-ring		
19	1	826-02006	Block Weldment		Not Available
20	1	391-10001	Felt Packing Gasket		
21	1	353-43003	Packing Gland, 2" Bore		
22	1	353-49010	Magnet		
23	1	353-42002	Ram		
24	2	390-10002	Seal, 1 1/16x7/16		
25	1	826-04026	Spacer		Not Available
26	1	390-01002	O-Ring, 1-3/4 OD		
27	1	390-20003	Gasket, Metallic		
28	1	353-43011	Cap		Not Available
29	1	353-49175	Plunger Weldment With Clip		
30	1	353-49004	Pump Sleeve		Not Available
31	1	204-01701	Washer, Rim		
32	1	203-61708	Jam Nut, 3/4-16 UNF		
33	1	825-04001	Swivel Pivot		
34	1	825-04055	Pump Clip		
35	1	353-49065	Release Knob Sub-Assembly		Not Available
Available Kits					
	1	8826-01017	Soft Seal Kit		
(Items 8,20,24,26,27 and 19,20,23,24 on base frame)					
	1	8825-01014	Complete Plunger Kit		Not Available
(Items 24,29,30,31,32)					
	1	8825-01013	Two-piece Plunger Kit		
(Items 24 & 29)					
PRICES GOOD THRU DECEMBER 29, 2000					
ALL PRICES SUBJECT TO TAX AND FREIGHT					
DNO1000					

OPERATION HYDRAULIC UNIT

CHECK WITH FACTORY BEFORE ADDING OIL

TO REPLEISH OIL SUPPLY

With jack upright, remove both **FILL** and **VENT** plugs in the pump body. Add clean Mobil D.T.E. #13 with a squirt oil can until reservoir overflows. Replace both plugs.



Before using Transmission Jack, close hydraulic Release Valve by turning **CLOCKWISE** and operate the pump handle. If head does not rise, it may be necessary to prime the unit.

TO PRIME

1. Tilt entire Transmission Jack horizontal on two casters, with pump handle pointing down.

2. Open Release Valve (**COUNTER-CLOCKWISE**) and operate the pump handle until "resistance" is felt.

3. Close Release Valve (**CLOCKWISE**) and continue pumping handle re-storing jack to upright position.

HTJ-800 B